



30' Retracta-Belt® Post

Rugged post with the longest span.



Featured Product: Model PM412-30



Pushing the limits for long span applications.

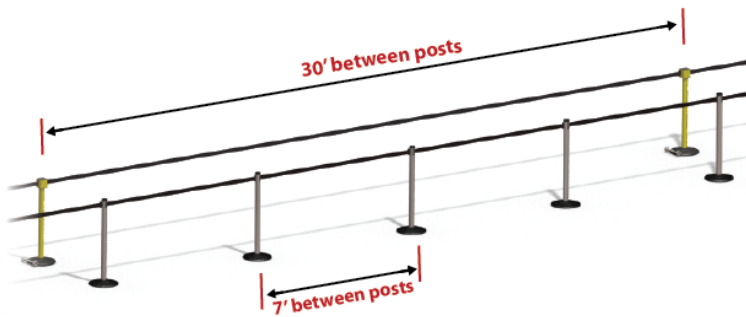
The PM412-30 is the only post on the market with a 30' belt extension. The longer span and wheels reduce setup time while also reducing the cost of buying multiple posts to do the job of one. This rugged, outdoor-rated post is built to withstand the harshest environments.

Typical Applications Include:

- ▶ Airplane/bus/cruise ship loading
- ▶ Closing parking lots
- ▶ Guarding large machinery
- ▶ Warehouse maintenance and other long span requirements

Long Range Retracta-Belt®

- ▶ **1 vs. 4:** one post covers the same distance as four competitor's posts



Heavy Baseweight & Outdoor-Rated Wheels

- ▶ **Post remains sturdy in all situations**
- ▶ **Quick and easy queue setup:** roll fewer posts into place



Features

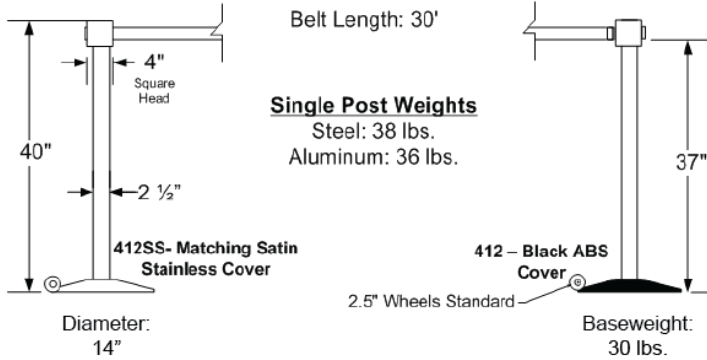
- ▶ **Outdoor-rated, heavy-duty product**
- ▶ **Longest spanning Retracta-Belt® post – 30'**
- ▶ **Outdoor-rated wheels:** included for easy transportation and quicker setups
- ▶ **Weatherproofed baseweight:** with molded rubberized floor protectors
- ▶ **Extra heavy 30 lbs. cast iron baseweight:** ensures stability
- ▶ **Patent pending braking system:** creates the safest post on the market
- ▶ **High impact polycarbonate material:** greatly increases durability
- ▶ **All parts easily replaceable**



Post Finishes & Belt Options for 30' Retracta-Belt® Post



Specs	
Post Material	Aluminum or Stainless Steel
Base Cover Material	ABS or Stainless Steel
Baseweight Material	30 lbs. Cast Iron w/ Floor Protectors
Post Diameter	2.5" (4" head)
Base Diameter	14"
Overall Post Height	40"
Overall Weight	36 - 38 lbs.



Belt Length: 30'

Single Post Weights
Steel: 38 lbs.
Aluminum: 36 lbs.

Overall Weight: 36 - 38 lbs.

Stock Finishes			
Black Aluminum BA		Satin Aluminum SA	
Yellow Aluminum YA		Satin Stainless Steel SS	
Polished Aluminum PA			

Weather Resistant

Standard Belt Options

- BK - Black
- GR - Grey
- WH - White
- BN - Brown
- MN - Maroon
- RD - Red
- OR - Orange
- YW - Yellow
- GN - Green
- DG - Dark Green
- LB - Light Blue
- BL - Blue
- DB - Dark Blue
- PL - Purple
- FY - Fluorescent Yellow
- FO - Fluorescent Orange
- BW - Black/White Stripe

Model #	Head	Post	Base Cover
PM412-30BA	Black	Black Aluminum	Black ABS
PM412-30YA	Yellow	Yellow Aluminum	Black ABS
PM412-30PA	Black	Polished Aluminum	Black ABS
PM412-30SA	Black	Satin Aluminum	Black ABS
PM412-30SS	Black	Satin Stainless Steel	Satin Stainless Steel

Specialty Belt Options (Double Sided)

- BYD - Black/Yellow Diagonal
- RWD - Red/White Diagonal
- MYD - Magenta/Yellow Diagonal
- TLC - This Lane Closed
- CAU - Caution-Do Not Enter
- DKO - Danger-Keep Out
- NE - No Entry
- AAO - Authorized Access Only

To Order Specify:
PM412-30 **BA** - **FO**
MODEL # FINISH BELT COLOR



**Due to printing limitations, colors shown may not represent actual product colors. Please call for samples if required.*