

## Featured Product: Model SM6500

### Fast setup. Compact storage. Longest span protection.

Specifically designed to assist tarmac boarding and deplaning.

**Built-in receiving end:** accepts one loop belt end.

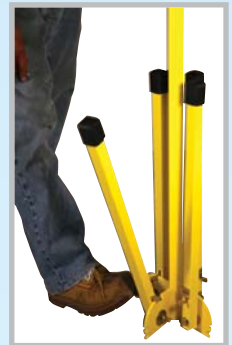
**Loop belt end:** simple yet durable.

**Brake included:** for a slow and safe belt retraction.

**Thick and durable 65' belt:** for extremely long span applications. It's the same webbing that's used in all our Retracta-Belt® units and proven to outlast the competitor's belt.

**Heavy-duty aluminum construction:** designed to withstand the outdoor elements and heavy wear and tear.

**Lightweight aluminum stand:** easy to transport and store.



- ▶ **Compact storage:** folds into an 8" x 8" space.
- ▶ **Quick-deploying legs:** with a foot activated lever.

Model #  
SM6500YW-BYD



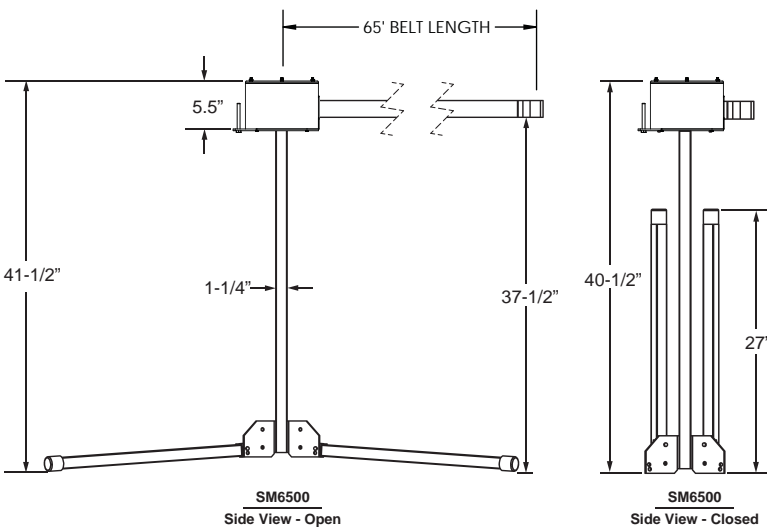
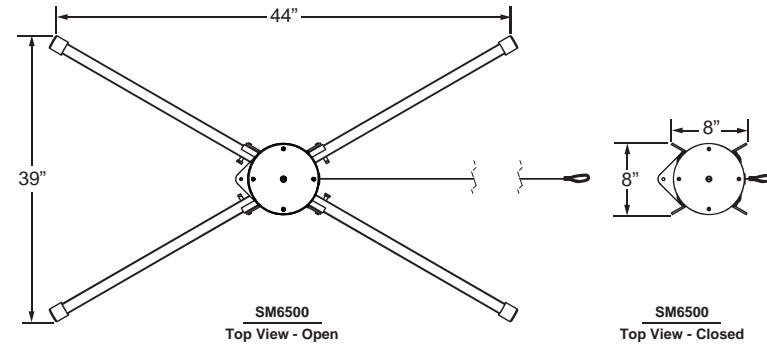
#### Additional Features

- ▶ 10 year warranty
- ▶ Unlike competitor's products, replacement components are available for on-site repair which eliminates the costly expense of shipping it back to the manufacturer.

#### Typical Applications

- ▶ Guiding passengers on the tarmac
- ▶ Bus & cruise ship loading
- ▶ Construction sites
- ▶ Closing parking lots
- ▶ Warehouse maintenance and other long span requirements

Specs	
Head Material	Aluminum and Stainless Steel
Head Diameter	8"
Stand Material	Aluminum & Steel (Powder Coated)
Base Dimensions (Open)	39" x 44"
Base Dimension (Closed)	8" x 8"
Overall Stand Height	41.5" (includes head)
Overall Weight	29 lbs.



### Belt End Options

<p><b>Loop (standard)</b></p> <p>Simple yet durable. Requires Model # RE6500 receiving end (sold separately).</p>	<p><b>S-Hook</b></p> <p>Universal S-Hook belt end works without a receiving end. It can wrap around or hook into any suitable object.</p>	<p><b>Universal</b></p> <p>Polycarbonate belt end with lock. Requires Model # RE receiving end (sold separately).</p>
---	---	---

### Stock Finishes

Yellow Aluminum YW (Stand) (Head)

Black (Head)

Ready for outdoor use

### Standard Belt Options

- BK - Black
- GR - Grey
- WH - White
- BN - Brown
- MN - Maroon
- RD - Red
- OR - Orange
- YW - Yellow
- GN - Green
- DG - Dark Green
- LB - Light Blue
- BL - Blue
- DB - Dark Blue
- PL - Purple
- BW - Black/White Stripe

### Specialty Belt Options (Double Sided)

- BYD - Black/Yellow Diagonal
- RWD - Red/White Diagonal
- MYD - Magenta/Yellow Diagonal
- TLC - This Lane Closed
- CAU - Caution-Do Not Enter
- DKO - Danger-Keep Out
- NE - No Entry
- AAO - Authorized Access Only

### Custom Dye-Sub Belt Samples\*

FME ZONE CHEVY SPEED

STOP! AUTHORIZATION REQUIRED STOP!

CLOSED FOR CLEANING

\*Dye-Sub is not intended for prolonged exposure to UV.

To Order Specify:

SM6500 YW - BYD

MODEL # FINISH BELT COLOR

\*Due to printing limitations, colors shown may not represent actual product colors. Please call for samples if required.