



PRIME Conventional Post & Ropes

Featured Product: Model CP40S

Proven Performance. PRIME Prices.

When you buy a Visiontron Conventional Post, you're getting a high quality stanchion from a trusted manufacturer with 50 years of experience. So why buy anything else? PRIME Conventional Posts are economically priced, and feature technology and materials that will outperform any other low-cost stanchion on the market. We've analyzed design flaws of other similar products and corrected them to deliver you a low-cost stanchion worthy of the Visiontron name.

Your choice of top style: Urn, Ball or Flat

High quality cotton core velvet rope: provides the same luxurious look and feel of more expensive ropes

Smooth-edged solid metal ring: designed for quality and customer safety

Solid metal Hinged Snap Ends: in your choice of finish with easy release latch

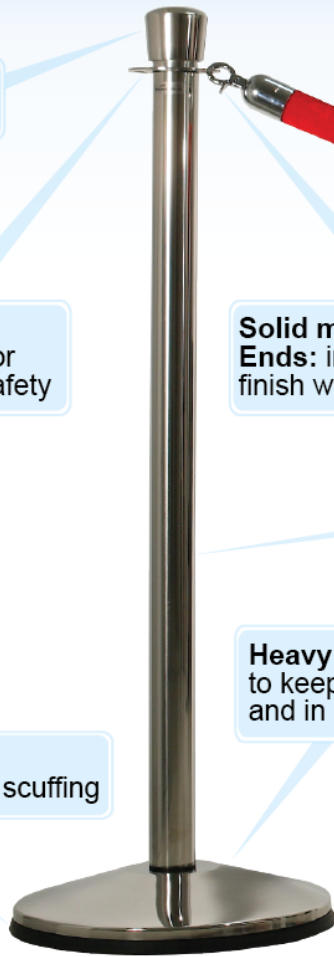
Featuring Exclusive EVERstraight® PRIME Technology



- ▶ Innovative self-straightening base connection keeps post upright
- ▶ Heavy base keeps post in place

Heavy and wide base: to keep the post stable and in place

Built-in rubber floor protectors: to prevent scuffing



Buyer Beware! Many low cost stanchions do not include a smooth-edged rope attachment to prevent injury. Ensure your post has this critical feature and not sharp, dangerous edges that can slice fingers.

Additional Features

- ▶ Three year warranty
- ▶ Same day shipping on stock items
- ▶ Ships Knocked-Down to save you money
- ▶ Easy assembly, no tools required
- ▶ Highly polished stainless steel or durable powdercoated finish

Durable, Universal Ring



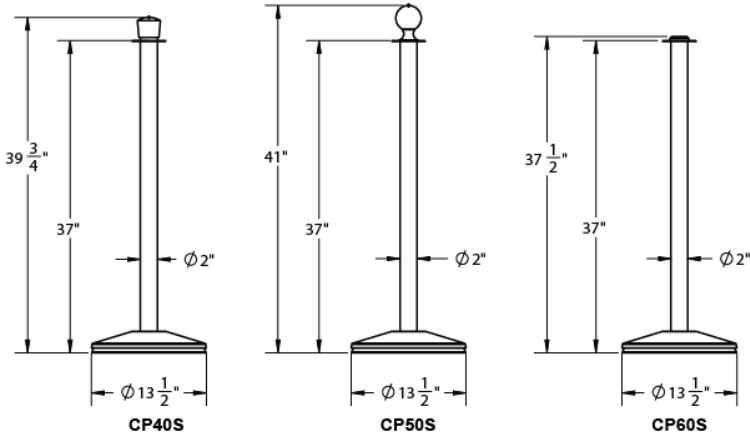
What's in Your Rope?

Many competitor's ropes are made from cheap fillers like foam or even sand. PRIME ropes feature a heavy cotton core – similar to more expensive ropes – to give you the same elegant swag at an economy price.





Specs



Post Specs

Post Material	Steel or Stainless Steel
Base Cover Material	ABS or Stainless Steel
Baseweight Material	17 lbs. Cement-Filled with Floor Protectors
Post Diameter	2"
Base Diameter	13.5"
Overall Post Height	39.75" (Urn), 41" (Ball), 37.5" (Flat)
Overall Post Weight	20 lbs.

Rope Specs

Rope Material	Heavy cotton core
Rope Cover Material	Velvet
Standard Rope Length	6' or 8' (custom lengths available)
Snap End Material	Rust-proof solid zinc

Stock Post Combinations

Pre-configured models shown, available for immediate shipping.



Stock Rope Combinations

Stock ropes have Polished Stainless Hinged Snap Ends. Available for immediate shipping.



Post Top Style



Urn Top
CP40S

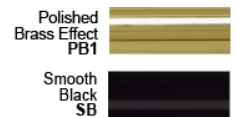


Ball Top
CP50S



Flat Top
CP60S

Stock Post & Hinged Snap End Finishes*



*Zinc snap ends are finished to match posts

Specialty Post & Hinged Snap End Finishes

Class 1

Powder Coat over Stainless Steel



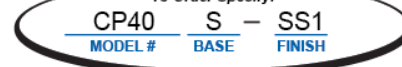
Class 2

Brass Plating over Stainless Steel



Specialty finishes require a minimum order of 6 pieces and a 2 week lead time. Call if quicker delivery is needed.

To Order Specify:

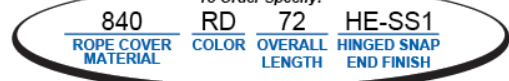


All post finishes are recommended for indoor use only.

Velvet Rope Color Options



To Order Specify:



Due to printing limitations, colors shown may not represent actual product colors. Please call for samples if required.