

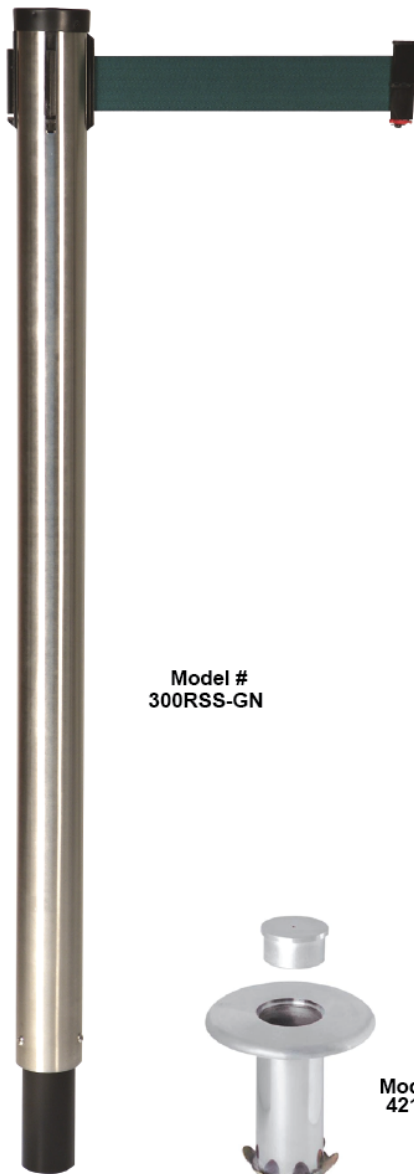


## Featured Product: Removable Mount Post

**Posts that won't shift throughout the day from busy crowds, but remove easily from the socket when necessary.**

### Removable Post Features

- ▶ **Expandable queuing area:** set up additional posts for a larger queuing area during busy seasons. When fewer posts are needed, insert the socket cap and store posts for a neat appearance and no tripping hazard.
- ▶ **Easy floor maintenance:** no heavy bases to transport. Simply remove the lightweight posts, clean the floor, and insert the posts back into the sockets.
- ▶ **Available in a variety of posts:** including standard 10', 15' or 30' Retracta-Belt lengths, Display, Conventional or Dual Line posts.
- ▶ **Offered in our full line of post finishes:** to match the décor in your facility.
- ▶ **Versatile:** several finishes can be used outdoors with no modification.
- ▶ **Built-in sign attachments:** no costly adapters.
- ▶ **10 year warranty.**



Model #  
300RSS-GN

Model #  
421SC



Model #  
300DRSS-BL

Removable Mount  
Dual Line Post



Model # ST400R-PC  
(Shown here with  
841-BK & SE-PC)

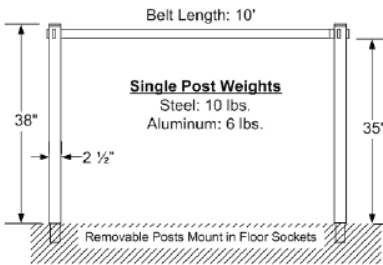
Removable Mount  
Conventional Post

## Installation Instructions for Removable Socket:

1. Lay out and mark the socket locations, spacing the centerlines at least 6" less than the belt length (ex: 9'6" or less with 10' belt).
2. Core drill holes approximately 4" dia. x 6" deep
3. Fill one-third of the hole with pore-rock or other non-shrinking grout.
4. Push the socket into the grout, making sure it's flush with the mounting surface (as an extra precaution you can check the first few sockets to ensure that enough grout is applied and the void below is fully filled).
5. Wait for cement to fully set before installing the posts.

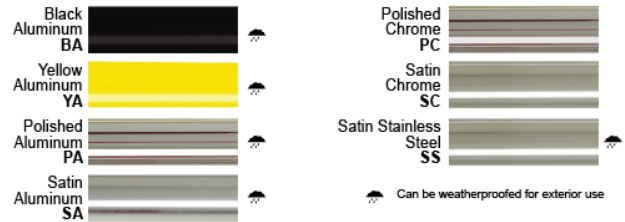
Professional installation is required. For assistance with queue layout, please contact us.

## Specs:

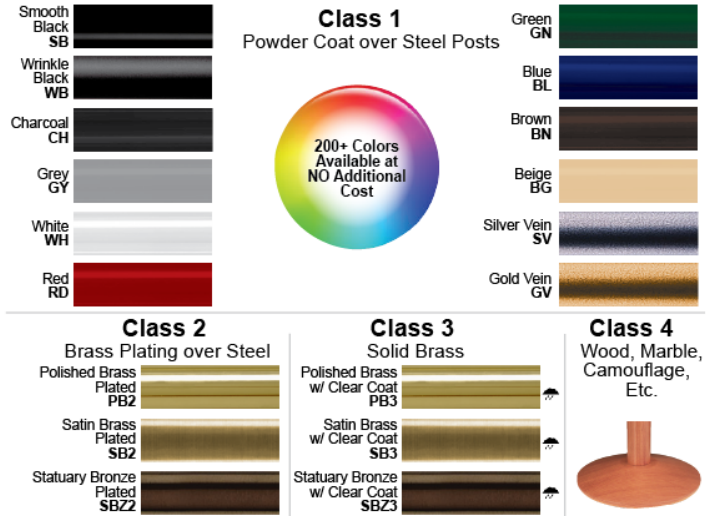


In addition to the removable socket mount, see our other mounting options to choose the best solution for you:

## Stock Finishes:



## Specialty Finishes:



Specialty finishes require a minimum order of 5 pieces and a 2 week lead time. Call if quicker delivery is needed.

	Fixed	Removable	Mini Socket	Magnetic
<b>Summary</b>				
<b>Installation Type</b>	Permanent Post	Permanent Socket/ Removable Post	Permanent Socket/ Removable Post	Permanent or Semi-Permanent Plate / Removable Post
<b>Standard Installation Method</b>	Post Construction: (3) 0.25" dia. x 2" deep anchors	Pre-construction: Blocking locations before decking is poured, set sockets with concrete after flooring is installed	Post Construction: 0.75" dia. x 2" deep core drill, epoxy socket in place	Post Construction: (2) 0.25" dia. x 2" deep anchors to secure plate
<b>Alternate Installation Methods</b>	N/A	Post Construction: 4" dia. x 6" deep core drill, Set socket with cement	Post Construction: 0.75" dia. x 4.5" deep core drill	Post Construction: Epoxy or VHB Tape to secure plates directly to surface
<b>Est. Post Install Time</b>	15 mins.	45 mins.	10 mins.	15 mins / <5 mins
<b>Install Difficulty</b>	Moderate	Difficult	Easy	Moderate (Screws) Very Easy (Epoxy or VHB Tape)
<b>Minimum Installation Depth</b>	2"	6"	2" Standard Socket 4" Alternate Socket	2" with Anchors 0" with Epoxy or VHB Tape
<b>Footprint of Post (In Use/Removed)</b>	5.5" / N/A	5.5" / 5.5"	2.5" / 0.75"	6" / 5.5"
<b>Rigidity of Post</b>	Rigid	Rigid	Flexible: Spring-loaded up to 10 degrees	Rigid: Magnet decouples with extreme side impact/force
<b>Available Finishes</b>	Limited *	All	All	All
<b>Available Models</b>	10', 15', Dual-Line, Display	10', 15', Dual-Line, Display	10', 15', 30', Dual-Line, Display	10', 15', 30', Dual-Line, Display

\*See Price Book or Fixed Mount Retractable-Belt® flyer for finish options